

Item number: SVL.00.503.11200/B

Revision: 00 · Date: 05 - 2023

Mirror Extension

 ~ 0.5 h.

EASY      DIFFICULT

ENGLISH Thank you for choosing this premium product from SW-MOTECH. Visit our online shop for more information (e.g. model assignments). Required documents (e.g. national type approval) are available there for you to download.

Please read and understand all the instructions, safety information and warnings in these mounting instructions before mounting and using the product in order to avoid injury and damage. Keep these mounting instructions for reference.

This product was developed for vehicles in factory condition. Compatibility with original accessories or accessories from other manufacturers cannot be guaranteed.

These mounting instructions have been prepared to the best of our current knowledge. No legal claims relating to accuracy can be made. Errors and omissions excepted. We reserve the right to make technical and design changes. The copyright is held by SW-MOTECH.

SAFETY WARNING SYMBOL

 This warning symbol is used in these mounting instructions to warn of deadly dangers, injuries or other hazards. The words **DANGER**, **WARNING** or **CAUTION** are used as part of this warning symbol to convey important safety messages and information relating to the installation and use of this product. These words, together with the safety warning symbol, mean:

 **DANGER:** Indicates a hazardous situation which, if not avoided, will result in death or serious injury!

 **WARNING:** Indicates a hazardous situation which, if not avoided, may result in death or serious injury!

 **CAUTION:** Indicates a hazardous situation which, if not avoided, may result in minor or moderate injury!

 **NOTE:** Important information, but not relating to a risk of death or injury (property damage only)!

GENERAL INFORMATION


 **WARNING:** Assembly and/or maintenance of this product requires advanced technical skill, appropriate tools, and a good understanding of tool usage and torque specifications. For your own safety, SW-MOTECH recommends having the assembly and/or maintenance carried out by a qualified and certified motorcycle workshop.


 **WARNING:** If you do choose to assemble this product yourself, carefully and fully read the mounting instructions before assembly and use, and follow all instructions to avoid serious injury or death. Also observe all relevant information in the vehicle manual when mounting or using the product. IF YOU DO NOT UNDERSTAND ANY PART OF THESE MOUNTING INSTRUCTIONS OR NEED AN EXPLANATION AS TO A SPECIFIC INSTRUCTION, DO NOT ATTEMPT TO INSTALL THIS PRODUCT WITHOUT CONSULTING SW-MOTECH FOR ASSISTANCE!

PREPARATION: Read the mounting instructions carefully and make sure that all parts on the parts list are available.

 **CAUTION:** Ensure that your vehicle is standing securely. Switch off the engine and remove the ignition key. Allow the engine/exhaust to cool down if necessary. Disconnect the battery when working on the electrical system. Only use proper tools and always wear safety goggles and gloves during assembly and maintenance. Have a second person help you with assembly and maintenance.

ASSEMBLY: All parts and connections removed from the vehicle must be reinstalled according to the vehicle manufacturer's specifications or replaced with parts and hardware supplied by SW-MOTECH.

 **WARNING:** Secure all threads with a medium-strength liquid threadlocker, unless otherwise specified.

 **DANGER:** Tightening torques not defined by SW-MOTECH must be obtained from the vehicle manufacturer or a certified motorbike workshop.

FUNCTIONAL CHECK: After mounting the product, ensure that no moving parts are obstructed and that the function of the vehicle is not impeded. Cables and hoses must not rub against each other and/or be hindered in any way.

 **WARNING:** Carry out a comprehensive functionality check before you start to drive. Check the tightening torque of all connections and the tight fit of the product after the first 50 km and then at regular intervals. Mounted accessories can change the handling and stability of the vehicle.



SW-MOTECH GmbH & Co. KG
Ernteweg 7-10
35282 Rauschenberg
Germany



 info@sw-motech.com
 www.sw-motech.com



Take note of the symbols and what they mean in the ASSEMBLY section. If the term OEM appears in the ASSEMBLY section, the vehicle manufacturer's specifications must be observed and applied.



If you have any questions, please don't hesitate to contact our Customer Service team or our distributors. You can find our telephone number and a list of our distributors in our online shop:

www.sw-motech.com















Use thread locker: Indicates that a thread must be coated with liquid thread locker. H (HIGH): high strength; M (MEDIUM): medium strength; L (LOW): low strength.





Tighten/note the tightening torque information:

Indicates the tightening torque of a part specified by SW-MOTECH or the vehicle manufacturer (OEM).

PARTS LIST - READ AND KEEP MOUNTING INSTRUCTIONS!

2	<div data-bbox="150 150 359 371">  </div> <div data-bbox="150 371 359 456"> <p>SVL.00.503.012.35</p> <p> 1/1</p> </div>	<div data-bbox="359 150 587 371">  </div> <div data-bbox="359 371 587 456"> <p>SVL.00.503.011.35</p> <p> 1/1</p> </div>	<div data-bbox="587 150 815 371">  </div> <div data-bbox="587 371 815 456"> <p>M10 x 35; DIN 912 SC.ST.10.035.02.912FL.088</p> <p> 1/1</p> </div>	<div data-bbox="815 150 1043 371">  </div> <div data-bbox="815 371 1043 456"> <p>M10 x 35; DIN 912 SC.ST.10.035.02.912F.088</p> <p> 1/1</p> </div>	<div data-bbox="1043 150 1272 371">  </div> <div data-bbox="1043 371 1272 456"> <p>∅ 19 / ∅ 10,5 / h 15 SVL.00.505.012</p> <p> 2/2</p> </div>	<div data-bbox="1272 150 1505 371">  </div> <div data-bbox="1272 371 1505 456"> <p>∅ 10,5; DIN 125 US.ST.105.02.125</p> <p> 2/2</p> </div>
----------	---	---	---	--	---	--

3	<div data-bbox="150 477 359 698">  </div> <div data-bbox="150 698 359 779"> <p>SVL.00.503.015.02</p> <p> 2/2</p> </div>
----------	---

1



⚠ WARNING: Always wear eye and hand protection!

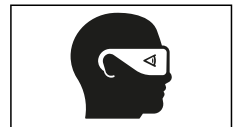
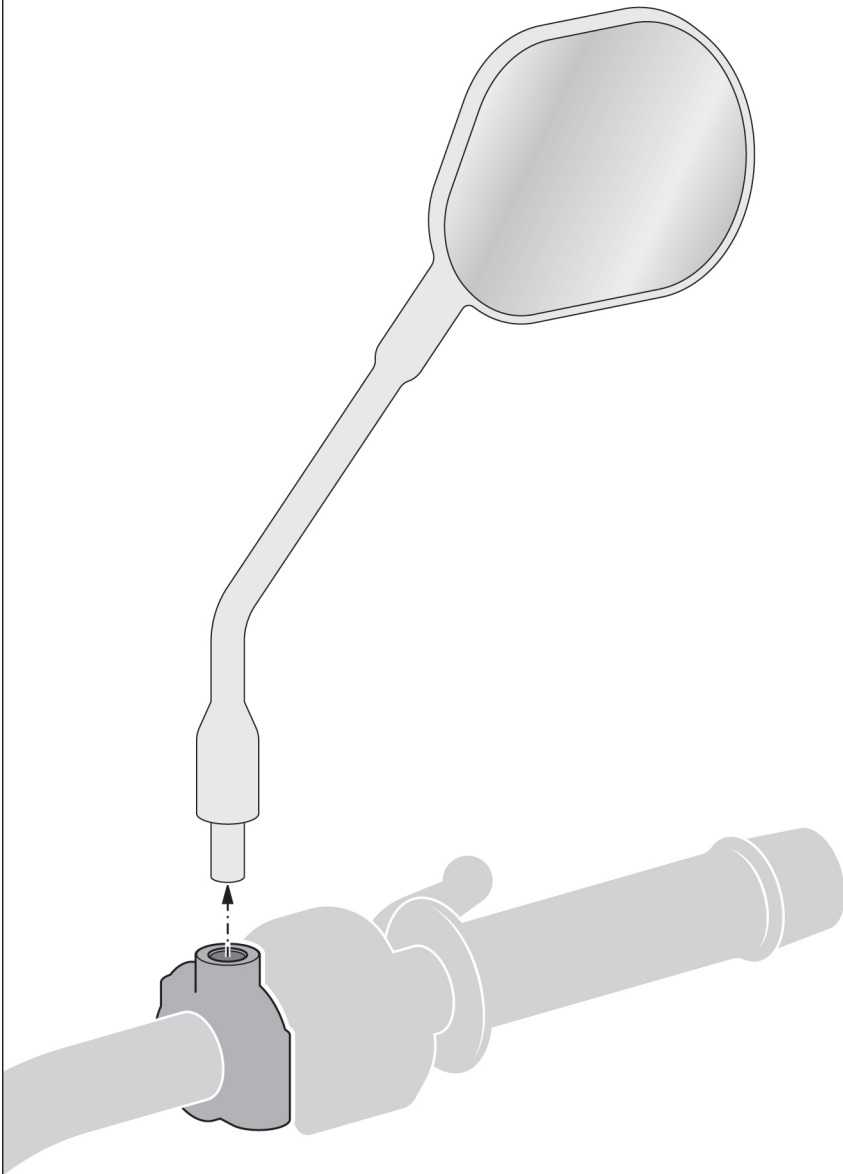
⚠ WARNING: Always use the proper tools!

⚠ NOTE: This product is mounted the same on each side; see the **NOTE** regarding thread directions in the following assembly steps.

⚠ NOTE: Before removing the original mirrors, note the order of the original parts.

⚠ NOTE: Schematic diagram of the original parts.

Remove the original mirrors from the mirror mounts.



2



NOTE: Keep in mind the opposite thread directions on the mirror extensions (1) and (2) and screws (3) and (4):

Right side of vehicle: Left-hand thread (mirror extensions (1) and screws (3)).

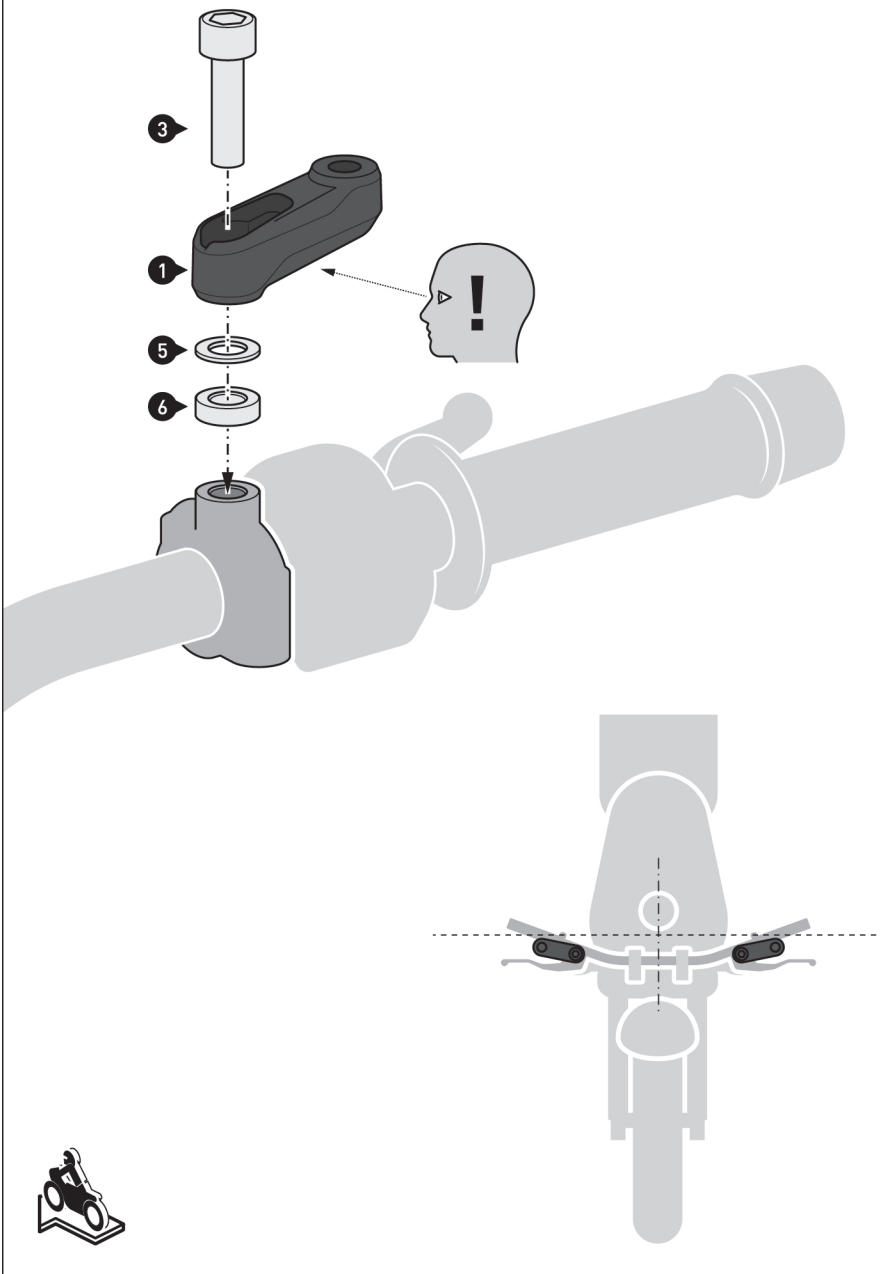
Left side of the vehicle: Right-hand thread (mirror extensions (2) and screws (4)).

To avoid confusion, compare the item numbers in the parts list with the embossing on the underside of the mirror extensions (1) and (2)!

Screw the mirror extensions (1) and (2) onto the mirror mounts of your vehicle. Make sure that both mirror extensions (1) and (2) are aligned so that both sides are level.

WARNING: Use a liquid threadlocker!

Tighten the screws (3) and (4) according to the manufacturer's instructions.



1 ×1		
2 ×1		
3 ×1		
M		
4 ×1		
M		
5 ×2		
6 ×2		

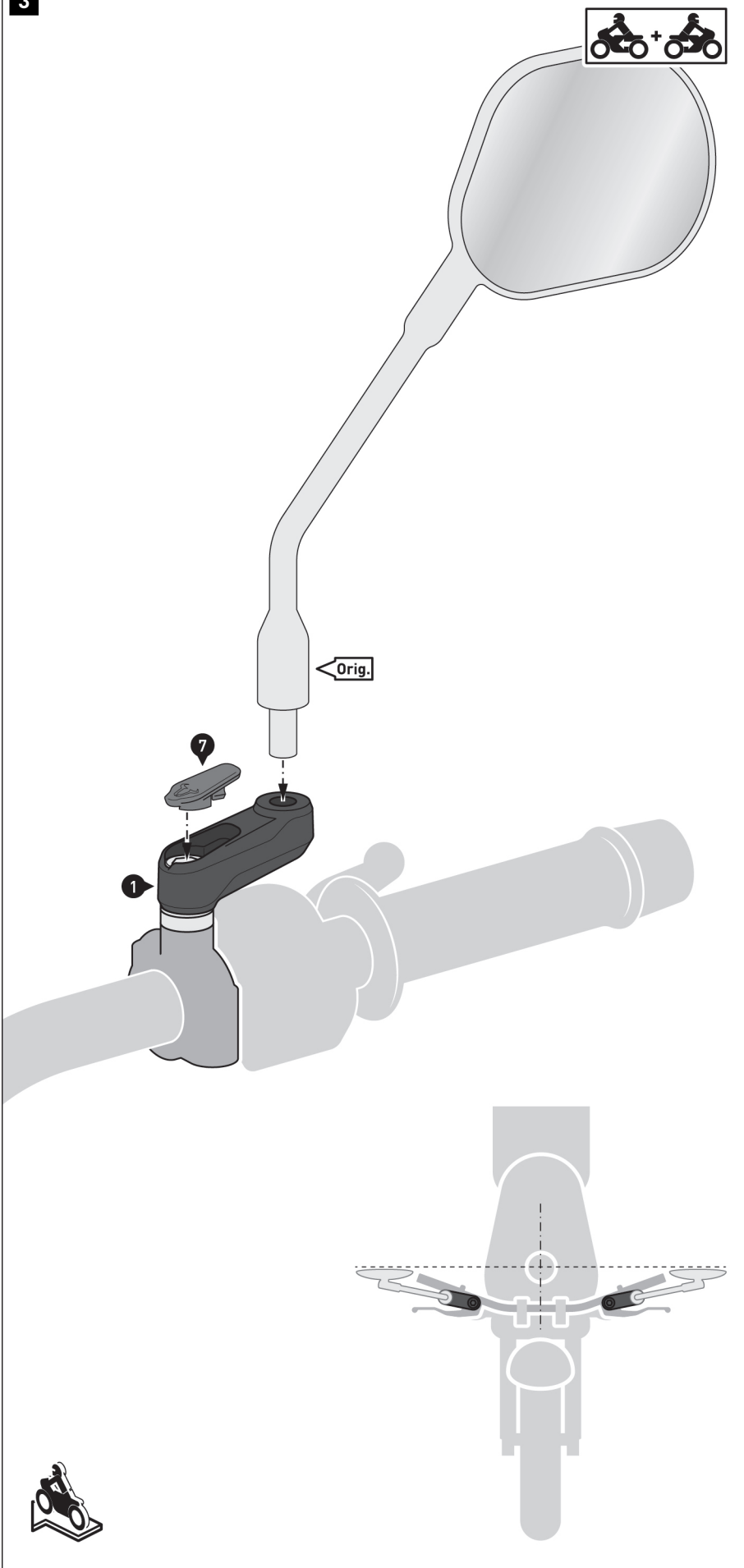
3



NOTE: Keep in mind the opposite thread directions of the original mirrors (Orig.):
Right side of vehicle: Left-hand thread.
Left side of the vehicle: Right-hand thread.

Screw the original mirrors (Orig.) to the mirror extensions (1) and (2) using the original parts. Ensure that both mirrors (Orig.) are aligned so that both sides are level. Follow the vehicle manufacturer's specifications for mounting the mirrors.

Insert the cover caps (7) into the openings of the mirror extensions (1) and (2).



PRODUCT-SPECIFIC NOTES

⚠ NOTE: Observe the country-specific regulations for registering/operating your vehicle or the applicable TÜV regulations. After assembly, have parts that are subject to registration entered in the vehicle documents by your test centre.

If a national type approval is available for this product: **You must always carry the national type approval supplied with the product with you! This national type approval only applies to the models listed and must comply with all requirements! For use with a vehicle not listed here, the entry must be made in the vehicle documents!**The vehicle assignments in the national type approval document are expanded annually. As a result, the national type approval for a new product may only take place a few months after the market launch. If your model is not listed or if you no longer have the national type approval document, please visit the Download section of our web shop. The current version of the national type approval document will be available there.